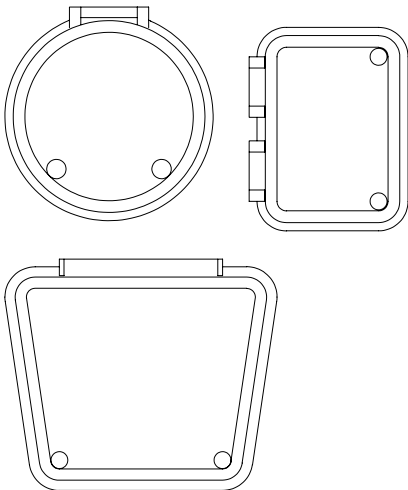


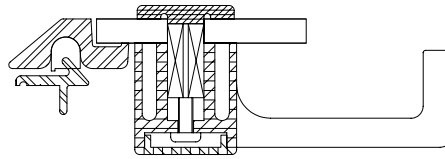
PANNEAUX CRISTAL

CRISTAL HATCHES

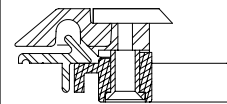
REF./ART	DIM. GLACES/LENSE	MOUSTIQUAIRES/FLY SCREEN	CADRE HABILLAGE/TRIM RING	GLACE LENSE No	JOINT/GASKET
24.19	233x183	24.19.4	24.19.E..	1241	J.10.10
24.24	233x233	24.24.4	24.24.E..	1238	
35.21	319x174	35.21.4	35.21.E..	3338	
36.14	357x133	36.14.4	36.14.E..	1242	
36.19	357x183	36.19.4	36.19.E..	1240	
36.24	357x233	36.24.4	36.24.E..	1237	
42.42	390x390	42.42.4	42.42.E..	3222	
44C	D.440	44C.4	44C.E..	1742	J.12.12
44.31	428x298	44.31.4	44.31.E..	1235	
44.44	428x428	44.44.4	44.44.E..	1741	
49.19	487x183	49.19.4	49.19.E..	1239	
49.24	487x233	49.24.4	49.24.E..	1236	
49.36	478x348	49.36.4	49.36.E..	1234	
49.49	470x470	49.49.4	49.49.E..	1233	
61.49	603x472	61.49.4	61.49.E..	1462	J.10.10
61.61	590x590	61.61.4	61.61.E..	2132	
75.61	718x593	75.61.4	75.61.E..	1461	
79.79	762x762	79.79.4	79.79.E..	1522	



Poignée intérieure 1230.31 / Inside handle 1230.31
Poignée ext. 93 / Outside handle 93



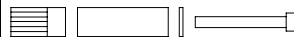
Petite poignée intérieure 1371E /
Small inside handle 1371E



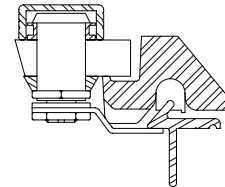
Kit de friction 1279E pour / Friction kit 1279E for 49.36
& 44.31



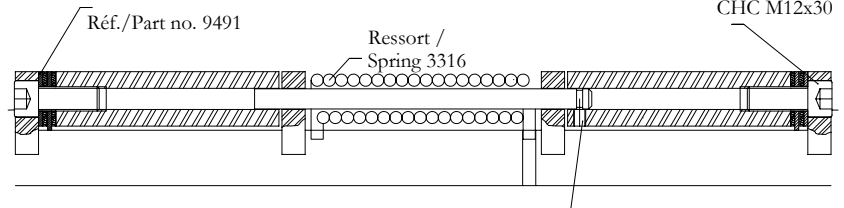
Kit de friction 1258E / Friction kit 1258E for
24.19/24.24/36.14/36.19/36.24/49.19/49.24



Serrure 550 / 550 lock



Montage de la friction avec ressort de compensation
How to fit the friction and spring for large hatches



Vis/Screw
STHC M6x8