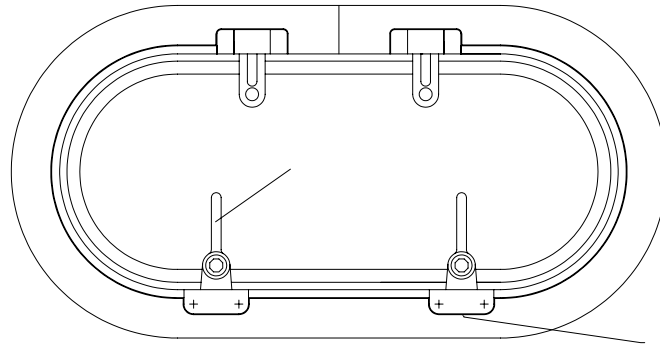


HUBLOTS EVOLUTION

EVOLUTION PORTLIGHTS

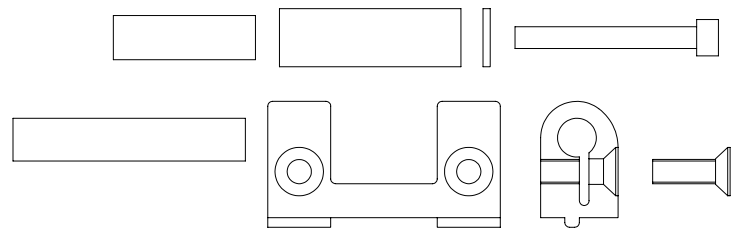


HUBLOTS FIXES / FIXED PORTS			
HUBLOT/PORT	DIM. GLACES/LENSE	REF/ART	JOINT/GASKET
33.13 FR...	350×150	2816	/
33.13 F...	350×150	2817	
58.13 F...	600×150	2826	
58.13 FR...	600×150	2827	

HUBLOTS OUVRANTS / OPENING PORTS			
26.11 PR...	274×124	1621	J.8.8AD
33.13 PR...	344×144	1606	
58.13 PR...	594×144	1624	
33.10 P...	344×109	1877	
33.13 P...	344×144	1627	
58.13 P...	298×72	1429	

EP./THICKNESS	INDICE/SUFFIX
8 à/to 16 mm	161
12 à/to 20 mm	201
16 à/to 24 mm	241
20 à/to 28 mm	281

KIT DE FRICTION 1258E / FRICTION SET ART NO 1258E



KIT DE CHARNIERE A FRICTION REGLABLE 1598E / FRICTION HINGE KIT ART NO 1598E